

HOLE DIAMETER	PANEL THICKNESS
8.0-20.0	20.0-40.0



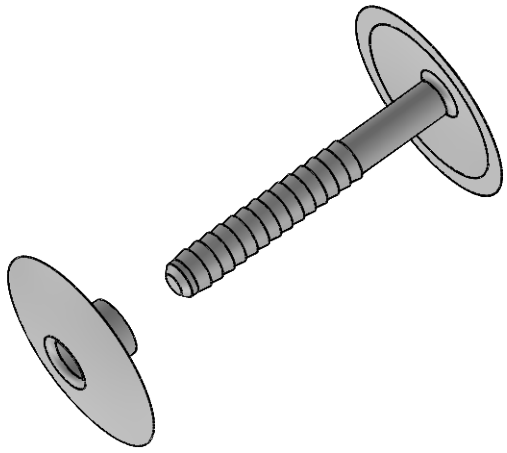
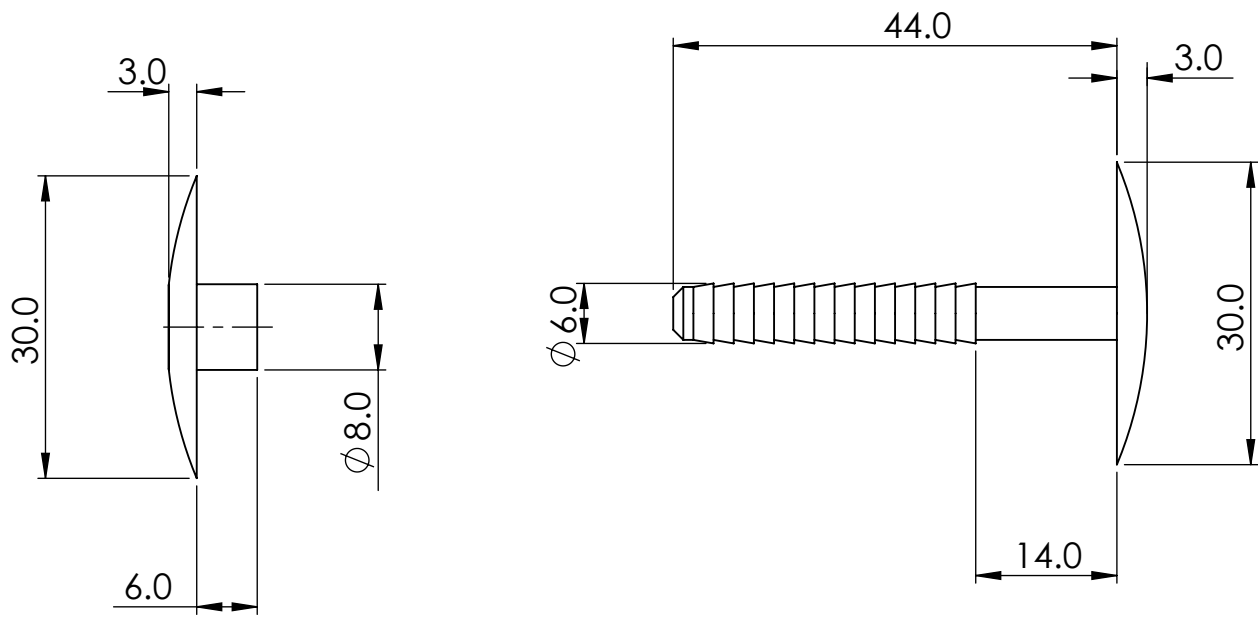
© 2013 Essentra Components. All rights reserved.  
Registered in England, Company No. 547495.  
Registered Office: Essentra plc  
Langford Locks, Kidlington, Oxford, OX5 1HX

Condition of Sale can be found on our website: [essentra.com](http://essentra.com).

Essentra Components does not warrant that the files will be error free and may create new versions ("Upgrades") at any time, which may correct such errors. Essentra Components has no obligation to notify you of such upgrades. Any upgraded file will be published to the website, when it becomes available.

You are not permitted to load any of the files on to a network server for the purposes of distribution to one or more other computer(s) on that network or to effect such distribution. Essentra Components shall not be liable for any loss or damage whatsoever or however caused, arising directly or indirectly from the use of the files.

**UNCONTROLLED COPY**

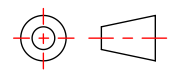


STATUS **APPROVED - UNCONTROLLED**

**UNLESS OTHERWISE STATED**

**ALL DIMENSIONS IN mm DO NOT SCALE**

LINEAR TOLERANCE			THIRD ANGLE PROJECTION
SIZE	(0)	(0.0)	(0.00)
0-10	±0.5	±0.15	±0.10
>10-30	±0.5	±0.20	±0.15
>30-50	±0.5	±0.30	±0.20
>50-100	±0.8	±0.50	±0.25
>100-200	±1.5	±0.80	±0.40
>200-300	±2.0	±1.20	±0.80
>300-500	±3.0	±2.00	±1.00
>500	±5.0	±3.00	±1.50



ANGULAR TOLERANCE ±0.5 DEGREES  
UNSPECIFIED RADII 0.25mm  
DRAFT ANGLE 0.5 DEGREES  
DIMENSIONS IN BRACKETS [ ] ARE IN INCHES FOR REFERENCE ONLY

CREATE DATE 05.10.2022 ORG. SCALE 1:1

ITEM CODE 10309599 MATERIAL WISPER:LDPE CLIP:PP

LEGACY NUMBER 8502440900VR COLOUR / FINISH TRANSPARENT

TITLE: **SNAP-TOGETHER RIVET LDPE;PP**

DWG. No. 10309599 SHEET 1 of 2 ISSUE 1

HOLE DIAMETER	PANEL THICKNESS
0.314-0.787	0.787-1.574



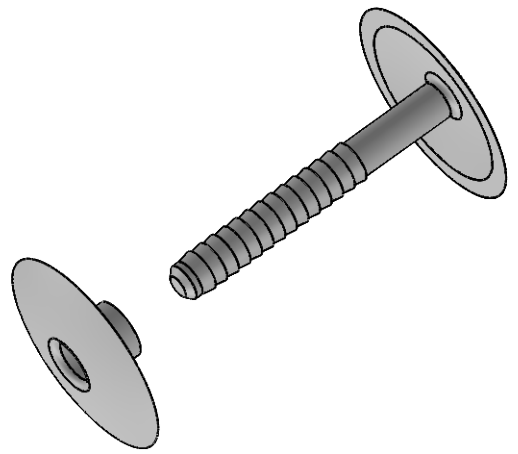
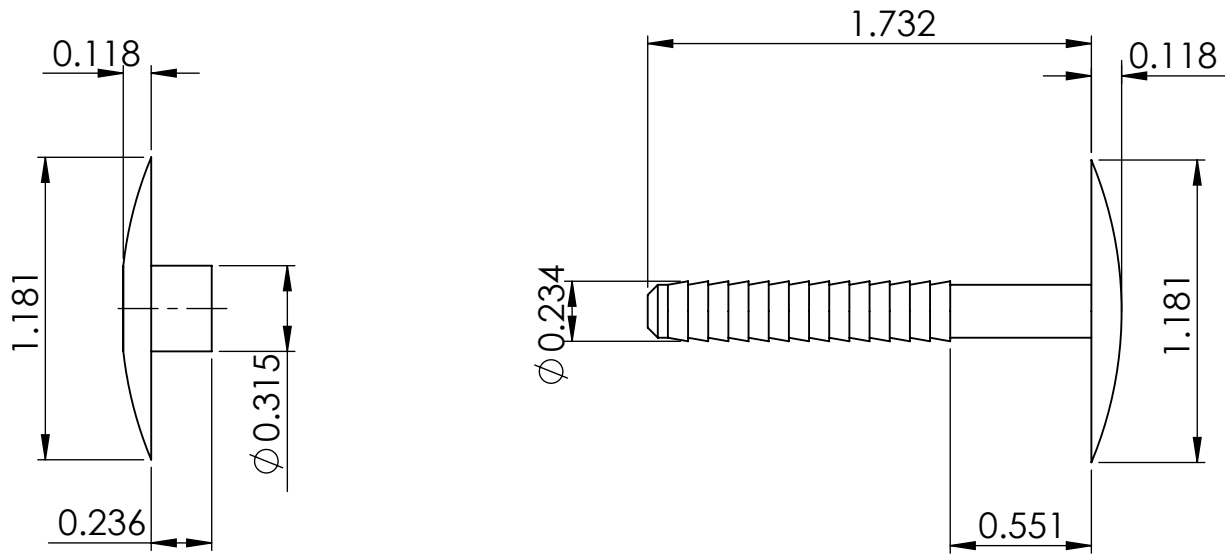
© 2013 Essentra Components. All rights reserved.  
Registered in England, Company No. 547495.  
Registered Office: Essentra plc  
Langford Locks, Kidlington, Oxford, OX5 1HX

Condition of Sale can be found on our website: [essentra.com](http://essentra.com).

Essentra Components does not warrant that the files will be error free and may create new versions ("Upgrades") at any time, which may correct such errors. Essentra Components has no obligation to notify you of such upgrades. Any upgraded file will be published to the website, when it becomes available.

You are not permitted to load any of the files on to a network server for the purposes of distribution to one or more other computer(s) on that network or to effect such distribution. Essentra Components shall not be liable for any loss or damage whatsoever or however caused, arising directly or indirectly from the use of the files.

**UNCONTROLLED COPY**



STATUS **APPROVED - UNCONTROLLED**

**UNLESS OTHERWISE STATED**

**ALL DIMENSIONS IN inches DO NOT SCALE**

LINEAR TOLERANCE				THIRD ANGLE PROJECTION
SIZE	(0.00)	(0.000)	(0.0000)	<p>ANGULAR TOLERANCE  ±0.5 DEGREES  UNSPECIFIED RADII 0.010 inch  DRAFT ANGLE 0.5 DEGREES  DIMENSIONS IN BRACKETS [ ]  ARE IN INCHES FOR  REFERENCE ONLY</p>
0 - 0.394	±0.020	±0.006	±0.004	
>0.394 - 1.181	±0.020	±0.008	±0.006	
>1.181 - 1.969	±0.020	±0.012	±0.008	
>1.969 - 3.937	±0.031	±0.020	±0.010	
>3.937 - 7.874	±0.059	±0.031	±0.016	
>7.874 - 11.811	±0.079	±0.047	±0.031	
>11.811 - 19.685	±0.118	±0.079	±0.039	
>19.685	±0.197	±0.118	±0.059	

CREATE DATE	05.10.2022	1:1	ORG. SCALE
-------------	------------	-----	------------

ITEM CODE	10309599	WISPER:LDPE CLIP:PP	MATERIAL
-----------	----------	---------------------	----------

LEGACY NUMBER	8502440900VR	TRANSPARENT	COLOUR / FINISH
---------------	--------------	-------------	-----------------

TITLE:  
**SNAP-TOGETHER RIVET LDPE;PP**

DWG. No.	10309599	SHEET	ISSUE
		2 of 2	1